

# ***M7VIT***

---

## **FCC Statement and Copyright**

This equipment has been tested and found to comply with the limits of a Class B digital device, pursuant to Part 15 of the FCC Rules. These limits are designed to provide reasonable protection against harmful interference in a residential installation. This equipment generates, uses and can radiate radio frequency energy and, if not installed and used in accordance with the instructions, may cause harmful interference to radio communications. There is no guarantee that interference will not occur in a particular installation.

The vendor makes no representations or warranties with respect to the contents here of and specially disclaims any implied warranties of merchantability or fitness for any purpose. Further the vendor reserves the right to revise this publication and to make changes to the contents here of without obligation to notify any party beforehand.

Duplication of this publication, in part or in whole is not allowed without first obtaining the vendor's approval in writing.

The content of this user's is subject to be changed without notice and we will not be responsible for any mistakes found in this user's manual. All the brand and product names are trademarks of their respective companies.

---

---

## **Contents**

---

---

<b>ENGLISH.....</b>	<b>1</b>
M7VIT Features .....	1
Package contents .....	2
Layout of M7VIT .....	3
CPU Installation .....	4
DDR DIMM Modules: DIMM1-2-3 .....	5
Jumpers, Headers, Connectors & Slots .....	7
<b>ESPAÑOL .....</b>	<b>12</b>
Características del M7VIT .....	12
Contenido del Paquete.....	13
Disposición del M7VIT .....	14
Instalación de la CPU .....	15
Módulos DDR DIMM: DIMM1-2-3 .....	16
Puentes, Cabezales, Conectores y Ranuras .....	18
<b>WARPSPEEDER .....</b>	<b>23</b>
Introduction.....	23
System Requirement.....	24
Installation.....	24
Usage.....	26
<b>TROUBLE SHOOTING.....</b>	<b>34</b>
<b>SOLUCIÓN DE PROBLEMAS .....</b>	<b>35</b>

## ***Motherboard Description***

---

# **English**

## **M7VIT Features**

- ✧ Use VIA VT8377 (KT400)/ VT8235 Chipset, Winbond W83697HF.
- ✧ Contains on board I/O facilities, which include two serial ports, a parallel port, a PS/2 mouse port, a PS/2 keyboard port, audio ports, USB ports, a game port.
- ✧ Supports Single Socket-A for an AMD Athlon/ Duron Family processor, running at 200/266/333 MHz Front Side Bus frequency.
- ✧ The AMD Athlon/ Duron system bus supports the 200/266/333 MHz high-speed, split-transaction AMD Athlon/ Duron system bus interface.
- ✧ Supports Ultra DMA 33/66/100/133 Bus Master Modes, PIO Mode 4, Master Mode, and high performance hard disk drives.
- ✧ Supports USB2.0 6 ports High Speed Device, 2 ports in Rear Panel and 4 ports in Front Panel.
- ✧ The VT8377 (KT400) system controller is designed to support 200/266/333/400 MHz DDR SDRAM DIMMs.
- ✧ Support a maximum memory size up to 3GB.
- ✧ Supports one CNR Slot (Type B only), one AGP 4X/ 8X Slot, and five 32-bit PCI Bus slots.
- ✧ Complies with PC ATX form factor specifications.
- ✧ Supports popular operating systems such as Windows NT, Windows 98SE, Windows 2000, Windows ME, Windows XP and LINUX.
- ✧ CPU over temperature protection.
- ✧ Intel® AC'97 2.2 compatible. High S/N ratio meets PC 99 requirements.
- ✧ Line-in phonejack and Mic-in jack share with rear Audio out for 6 channels Audio.
- ✧ 6-Channel Hardware Audio or Codec. (Change Line-In to Back-Audio Out and Mic-In to Bass/ Center Out by Audio Utility.) (Optional)

## ***Motherboard Description***

---

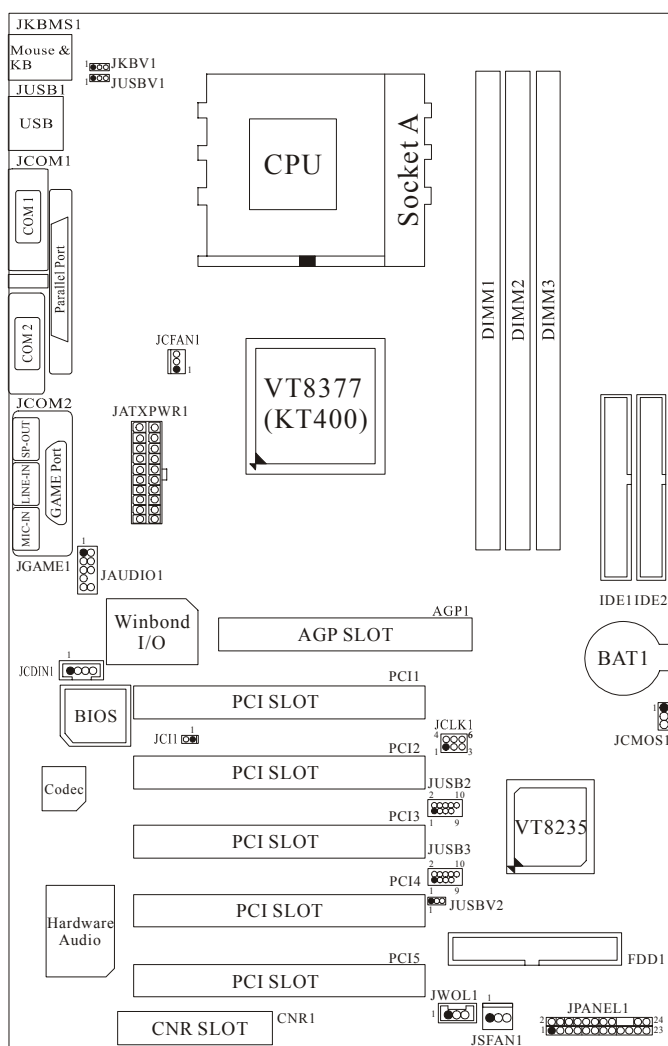
- ✧ Support Front Audio pin head functions.
- ✧ **CMI 8738 Hardware Audio Features (Optional):**
  - \* 6CH DAC for AC3® 5.1CH purpose.
  - \* HRTF-based 3D positional audio, supporting DirectSound™ 3D and A3D™ interface.
  - \* Supports 4.1/5.1 speakers, C3DX positional audio in 4/ 6 CH speaker mode.
  - \* MPU-401 port.
  - \* Built-in ZV port.

### **Package contents**

- ✧ HDD Cable X 1, FDD Cable X 1, Fully Setup Driver CD X 1
- ✧ Flash Memory Writer for BIOS update X 1
- ✧ USB Cable X 2 (Optional)
- ✧ Rear I/O Panel for ATX Case X 1 (Optional)

## Motherboard Description

### Layout of M7VIT

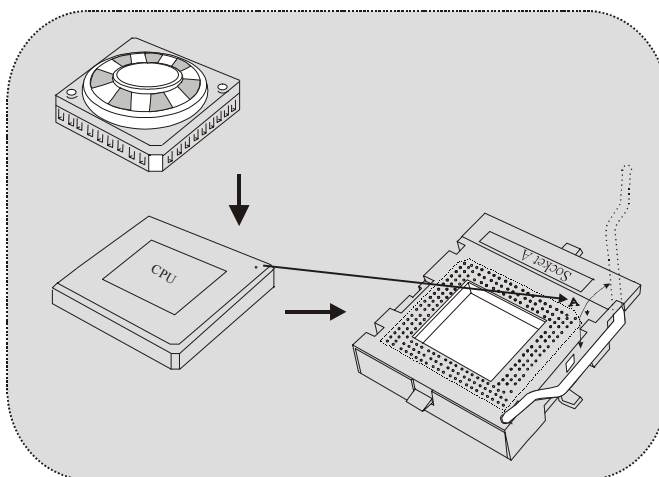


---

## Motherboard Description

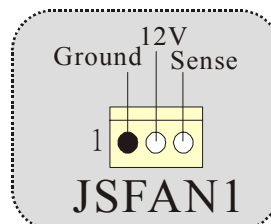
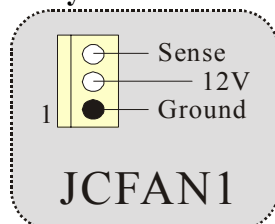
---

### CPU Installation



1. Pull the lever sideways away from the socket then raise the lever up to 90-degree angle.
2. Locate Pin A in the socket and lock for the white dot or cut edge in the CPU. Match Pin A with the white dot/cut edge then insert the CPU.
3. Press the lever down. Then Put the fan on the CPU and buckle it and put the fan's power port into the JCFAN1, then to complete the installation.

### CPU/ System Fan Headers: JCFAN1/ JSFAN1



## **Motherboard Description**

---

### **DDR DIMM Modules: DIMM1-2-3**

DRAM Access Time: 2.5V Unbuffered/ Registered DDR 1600/ 2100/ 2700/ 3200 Type required.

DRAM Type: 64MB/ 128MB/ 256MB/ 512MB/ 1GB DIMM Module (184 pin)

**Only support 4 bank for DDR PC3200 (2pcs Double-Side or 3 pcs Single-Side).**

<b>DIMM Socket Location</b>	<b>DDR Module</b>	<b>Total Memory Size (MB)</b>
DIMM 1	64MB/128MB/256MB/512MB/1GB *1	Max is 3GB
DIMM 2	64MB/128MB/256MB/512MB/1GB *1	
DIMM3	64MB/128MB/256MB/512MB/1GB *1	

\* The list shown above for DRAM configuration is only for reference.

- **If use FSB333MHz CPU, the Memory support only DDR333 (PC2700).**

List of the status of DDR 400 already passed

	<b>Clock</b>	<b>Vender</b>	<b>Serial No. (Chip)</b>	<b>Module Size</b>	<b>MEMTEST</b>
<b>1</b>	DDR400	KINGMAX	KDL684T4AA-50	256M	Pass
<b>2</b>	DDR400	SAMSUNG	K4H560838D-TCC4	256M	Pass
<b>3</b>	DDR400	TwinMOS	TMD7608F8E50B	256M	Pass
<b>4</b>	DDR400	Winbond	W942508BH-5	256M	Pass
<b>5</b>	DDR400	Winbond	W942508BH-5	512M	Pass

---

## Motherboard Description

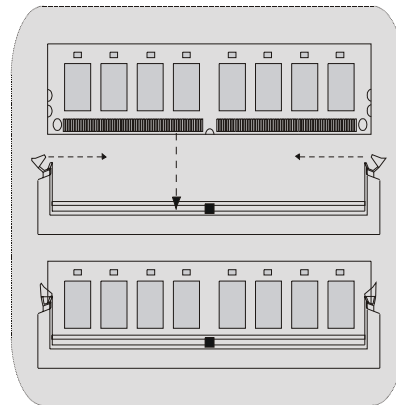
---

### How to install a DIMM Module

1. The DIMM socket has a “Plastic Safety Tab”, and the DIMM memory module has an “Asymmetrical notch”, so the DIMM memory module can only fit into the slot in one direction.

2. Push the tabs out. Insert the DIMM memory modules into the socket at a 90-degree angle, then push down vertically so that it will fit into the place.

3. The Mounting Holes and plastic tabs should fit over the edge and hold the DIMM memory modules in place.





---

## ***Motherboard Description***

---

### **Jumpers, Headers, Connectors & Slots**

#### **Hard Disk Connectors: IDE1/ IDE2**

The motherboard has a 32-bit Enhanced PCI IDE Controller that provides PIO Mode 0~4, Bus Master, and Ultra DMA 33/ 66/ 100/ 133 functionality. It has two HDD connectors IDE1 (primary), IDE2 (secondary) and IDE3.

The IDE connectors can connect a master and a slave drive, so you can connect up to four hard disk drives. The first hard drive should always be connected to IDE1.

#### **Floppy Disk Connector: FDD1**

The motherboard provides a standard floppy disk connector that supports 360K, 720K, 1.2M, 1.44M and 2.88M floppy disk types. This connector supports the provided floppy drive ribbon cables.

#### **Accelerated Graphics Port Slot: AGP1 (only support AGP power 1.5V)**

Your monitor will attach directly to that video card. This motherboard supports video cards for PCI slots, but it is also equipped with an Accelerated Graphics Port (AGP). An AGP card will take advantage of AGP technology for improved video efficiency and performance, especially with 3D graphics.

#### **Communication Network Riser Slot: CNR1**

The CNR specification is an open Industry Standard Architecture, and it defines a hardware scalable riser card interface, which supports audio, network and modem only.

#### **Peripheral Component Interconnect Slots: PCI1-5**

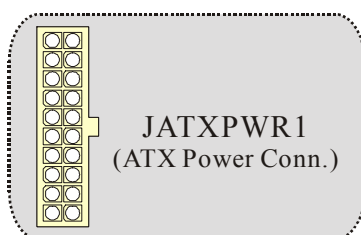
This motherboard is equipped with 5 standard PCI slots. PCI stands for Peripheral Component Interconnect, and it is a bus standard for expansion cards, which has, supplanted the older ISA bus standard in most ports. This PCI slot is designated as 32 bits.

---

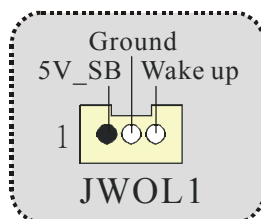
## Motherboard Description

---

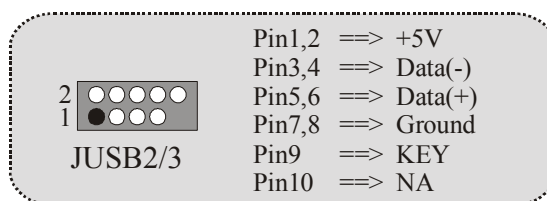
### Power Connectors: JATXPWR1



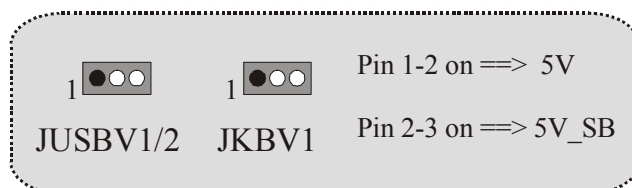
### Wake On LAN Header: JWOL1



### Front USB Header: JUSB2/3



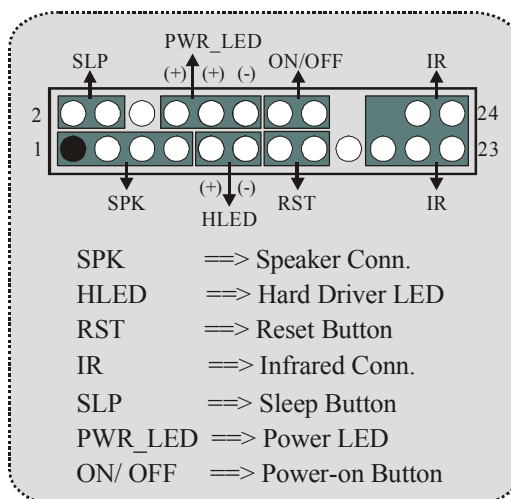
### 5V/ 5VSB Selection for USB/KB: JUSBV1/2/ JKBV1



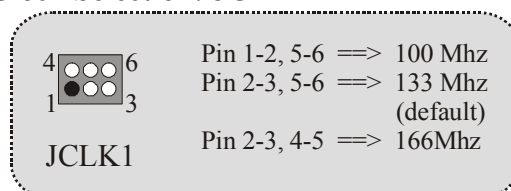
## **Motherboard Description**

---

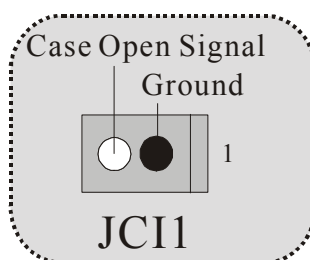
### **Front Panel Connector: JPANEL1**



### **CPU Clock Selection: JCLK1**



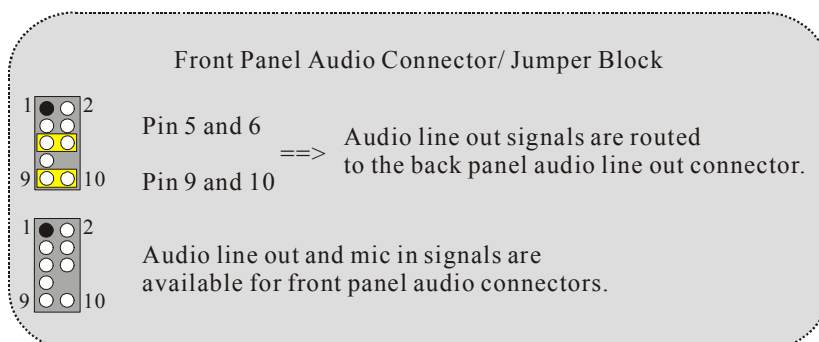
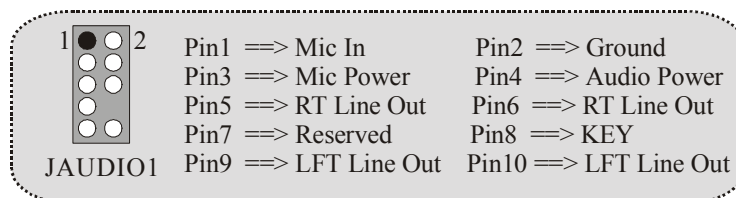
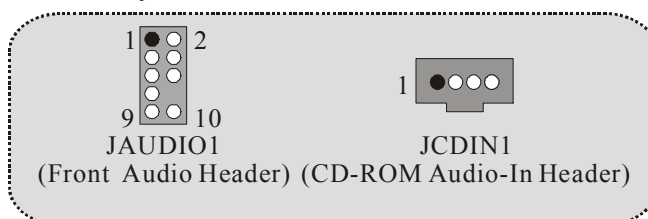
### **Case Open Connector: JCI1**



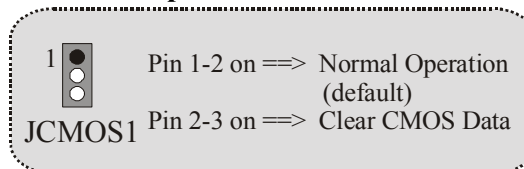
## **Motherboard Description**

---

### **Audio Subsystem: JAUDIO1/ JCDIN1**



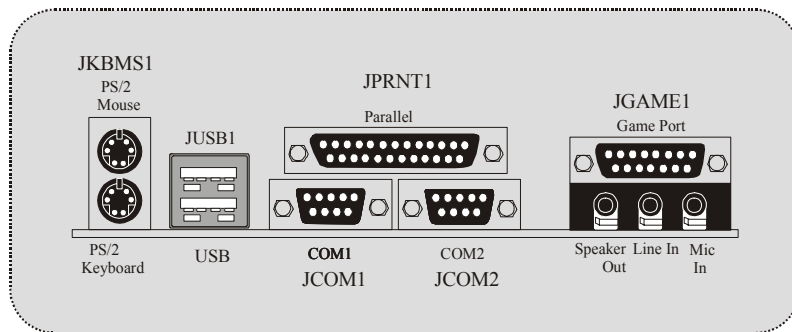
### **Clear CMOS Jumper: JCMOS1**



## Motherboard Description

---

### Back Panel Connectors



## ***Motherboard Description***

---

### **Español**

#### **Características del M7VIT**

- ✦ Usa Chipsets VIA VT8377 (KT400) / VT8235, Winbond W83697HF.
- ✦ Contiene facilidades I/O integrados en la placa madre en el que incluye dos puertos en serie, un puerto paralelo, un puertos de ratón PS/2, un puerto de teclado PS/2, puertos de audio, puertos USB y un puerto de juego.
- ✦ Soporta Single Socket-A para procesadores de la familia AMD Athlon/ Duron, corriendo a 200/266/333 MHz frecuencia Front Side Bus.
- ✦ El sistema bus AMD Athlon/ Duron soporta una alta velocidad de 200/266/333 MHz, split-transaction AMD Athlon/ Duron sistemas de interface bus.
- ✦ Soporta Ultra DMA 33/66/100/133 Bus Modos Master, PIO Modo 4, Modo Master, y alta performance del disco duro.
- ✦ Soporta USB2.0 6 puertos Dispositivo High Speed, 2 puertos en el panel trasero y 4 puertos en el panel frontal.
- ✦ El sistema controlador VT8377 (KT400) está diseñado para soportar 200/266/333/400 MHz DDR SDRAM DIMMs.
- ✦ Soporta tamaño de memoria máxima de hasta 3GB.
- ✦ Soporta una ranura CNR (solamente de Tipo B), una ranura AGP 4X/ 8X, y cinco ranuras 32-bit PCI Bus.
- ✦ Conformar con las especificaciones del factor de forma de tamaño PC ATX.
- ✦ Soporta sistemas operativos populares tales como Windows NT, Windows 98SE, Windows 2000, Windows ME, Windows XP y LINUX.
- ✦ Protección contra el exceso de temperatura de la CPU.
- ✦ Intel® AC'97 2.2 compatible. High S/N ratio reúne los requisitos del PC 99.
- ✦ Entrada de Línea phonejack y Entrada del Mic jack compartido con el rear Audio para 6 canales de Audio.
- ✦ 6 Canales de Audio Hardware o Codec. (Cambiando la Entrada de Línea por la Salida del Audio Trasero y la Entrada del MIC por la salida Bass/

## ***Motherboard Description***

---

Center a través de la utilidad del audio.) (Opcional).

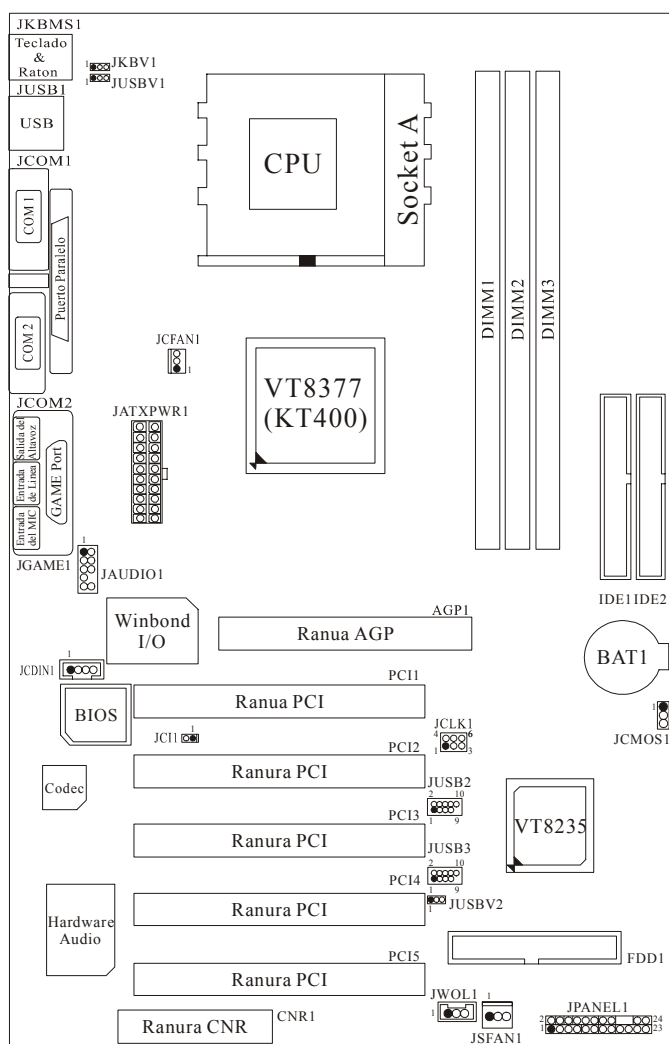
- ✦ Soporta funciones del cabezal del Audio Frontal.
- ✦ **CMI 8738 Características del Hardware Audio (Opcional):**
  - \* 6CH DAC para AC3® 5.1CH purpose.
  - \* HRTF-based 3D audio posicional, soportando DirectSound™ 3D y A3D™ de interface.
  - \* Soporta altavoces de 4.1/5.1, C3DX audio posicional en 4/ 6 CH modo de altavoz.
  - \* Puerto MPU-401.
  - \* Integrado con puerto ZV.

## **Contenido del Paquete**

- ✦ Cable HDD X 1, Cable FDD X 1, Configuración completa del Driver CD X 1
- ✦ Flash Memory Writer para actualización del BIOS X 1
- ✦ Cable USB X 2 (Opcional)
- ✦ Panel Trasero I/O para Caja ATX X 1 (Opcional)

## Motherboard Description

### Disposición del M7VIT



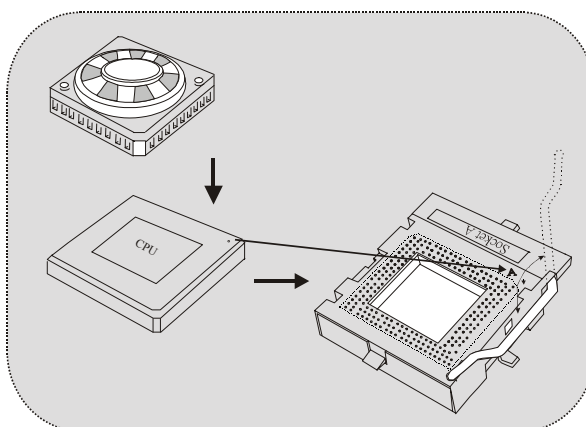


---

## Motherboard Description

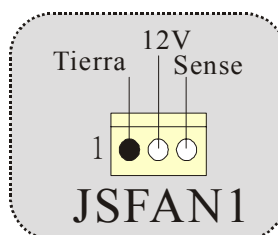
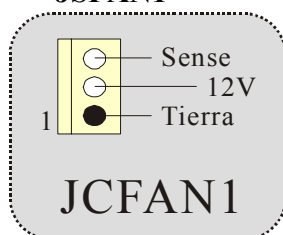
---

### Instalación de la CPU



1. Tire de la palanca del lado del zócalo, luego levante la palanca hasta un ángulo de 90 grados.
2. Sitúe el contacto A del zócalo y busque el punto blanco o corte el borde en la CPU. Empareje el contacto A con el punto blanco/corte del borde, luego inserte la CPU.
3. Presione la palanca para abajo. Ponga el ventilador en la CPU y abróchelo. Luego ponga el puerto de corriente del ventilador en el JCFAN1. Y ya habrá completado su instalación.

### CPU/ Cabezales del Sistema de Ventilación: JCFAN1/ JSFAN1



## Motherboard Description

---

### Módulos DDR DIMM: DIMM1-2-3

DRAM Tiempo de Acceso: 2.5V Unbuffered/ Registered DDR 1600/ 2100/ 2700/ 3200 Tipo requerido.

DRAM Tipo: 64MB/ 128MB/ 256MB/ 512MB/ 1GB Módulo DIMM (184 contactos)

**Solamente soporta 4 bancos para DDR PC3200 (2pcs de DDR de Doble Cara o 3pcs DDR de una cara.)**

Localización del Módulo DIMM	Módulo DDR	Total del Tamaño de Memoria (MB)
DIMM 1	64MB/128MB/256MB/512MB/1GB *1	Máximo de 3GB
DIMM 2	64MB/128MB/256MB/512MB/1GB *1	
DIMM3	64MB/128MB/256MB/512MB/1GB *1	

\* La lista de arriba para la configuración DRAM es solamente para referencia.

- **Si utiliza FSB333MHz CPU, la memoria soporta solamente DDR333 (PC2700).**

Listado del estado del DDR400

	Reloj	Vendedor	Número de Serie (Chip)	Tamaño del Módulo	MEMTEST
1	DDR400	KINGMAX	KDL684T4AA-50	256M	Pass
2	DDR400	SAMSUNG	K4H560838D-TCC4	256M	Pass
3	DDR400	TwinMOS	TMD7608F8E50B	256M	Pass
4	DDR400	Winbond	W942508BH-5	256M	Pass
5	DDR400	Winbond	W942508BH-5	512M	Pass

---

## Motherboard Description

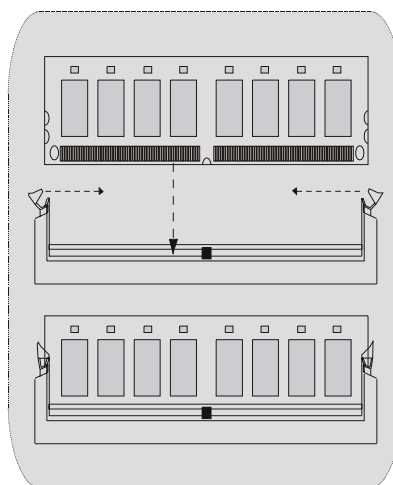
---

### Cómo instalar un Módulo DIMM

1. El zócalo DIMM tiene una lengüeta plástica de seguridad y el módulo de memoria DIMM tiene una muesca asimétrica, así el módulo de memoria DIMM puede caer solamente en la ranura de una sola dirección.

2. Tire la lengüeta hacia afuera. Inserte los módulos de memoria DIMM en el zócalo a los 90 grados, luego empuje hacia abajo verticalmente de modo que encaje en el lugar.

3. Los agujeros de montaje y las lengüetas plásticas deben caber por sobre el borde y sostenga los módulos de memoria DIMM en el lugar.



---

## ***Motherboard Description***

---

### **Puentes, Cabezales, Conectores y Ranuras**

#### **Conectores del Disco Duro: IDE1/ IDE2**

La placa madre tiene un controlador de 32-bit PCI IDE que proporciona Modo PIO 0~4, Bus Master, y funcionalidad Ultra DMA / 33/ 66/ 100. Tiene dos conectores HDD IDE1 (primario) y IDE2 (secundario). El conector IDE puede conectar a un master y un drive esclavo, así puede conectar hasta cuatro discos rígidos. El primer disco duro debe estar siempre conectado al IDE1.

#### **Conector para Disquete: FDD1**

La placa madre proporciona un conector estándar del disquete (FDC) que soporta 360K, 720K, 1.2M, 1.44M y 2.88M tipos de disquete. Éste conector utiliza los cables de cinta proporcionados por el disquete.

#### **Ranura del Puerto Acelerado para Gráficos: AGP1**

(solamente soporta corriente AGP de 1.5V)

Su monitor se fijará directamente a la tarjeta de video. Ésta placa madre soporta tarjetas de video para ranuras PCI, y también está equipado con un Puerto Acelerado para Gráficos. Ésta tarjeta AGP tomará ventaja de la tecnología del AGP para el mejoramiento de la eficiencia y funcionamiento del video, especialmente con gráficos 3D.

#### **Ranura de la Banda de Suspensión de Comunicación y Red: CNR1**

La especificación CNR es una abierta Industria de Arquitectura Estándar, que define una tarjeta de interface escalable del hardware en el que soporta audio y modem.

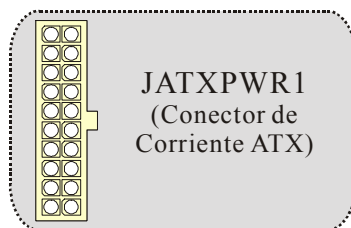
#### **Ranura de Interconexión del Componente Periférico: PCI-5**

Ésta placa madre está equipada con 5 ranuras estándar PCI. PCI es la sigla para Interconexión del Componente Periférico, y es un bus estándar para tarjetas de expansión en el que suplanta a la antigua bus estándar ISA, en su mayoría de las partes. Ésta ranura PCI está diseñado con 32 bits.

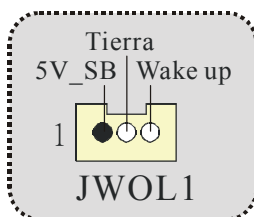
## **Motherboard Description**

---

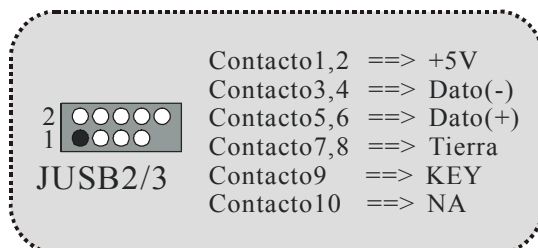
### **Conector de Corriente: JATXPWR1**



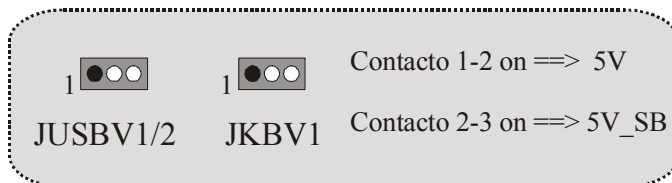
### **Cabezal Wake On LAN: WOL1**



### **Cabezal Frontal USB: JUSB2/3**



### **5V/ 5VSB Selección para USB/KB: JUSBV1/2/ JKBV1**

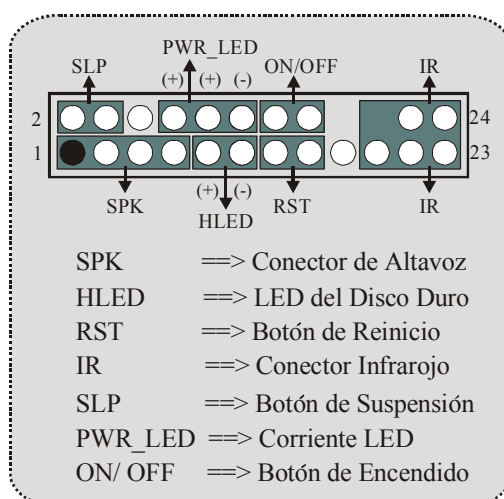


---

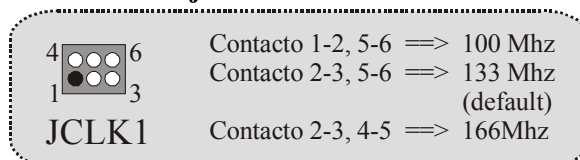
## Motherboard Description

---

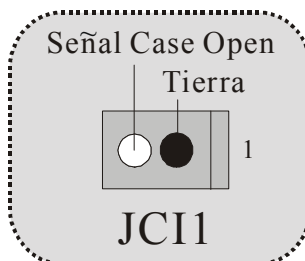
### Conector del Panel Frontal: JPANEL1



### Selección del Reloj del CPU: JCLK1

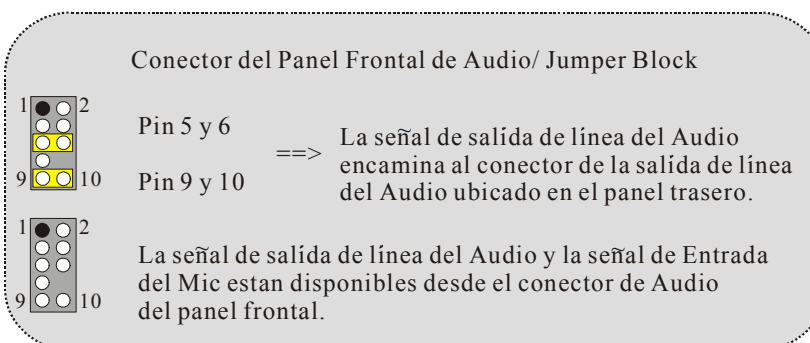
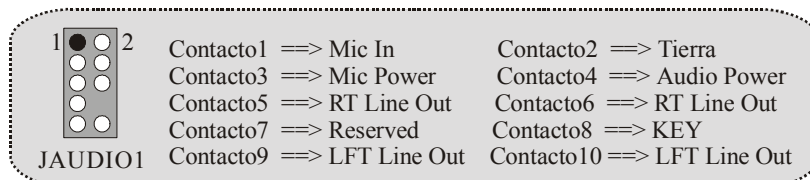
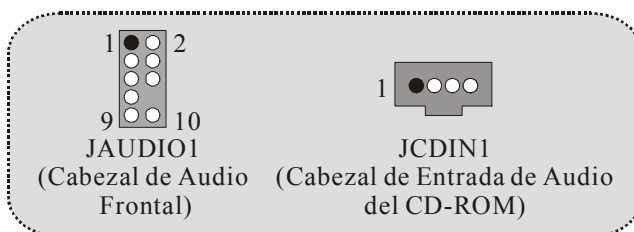


### Conector Case Open: JCI1



## Motherboard Description

### Subsistema de Audio: JAUDIO1/ JCDIN1



---

## Motherboard Description

---

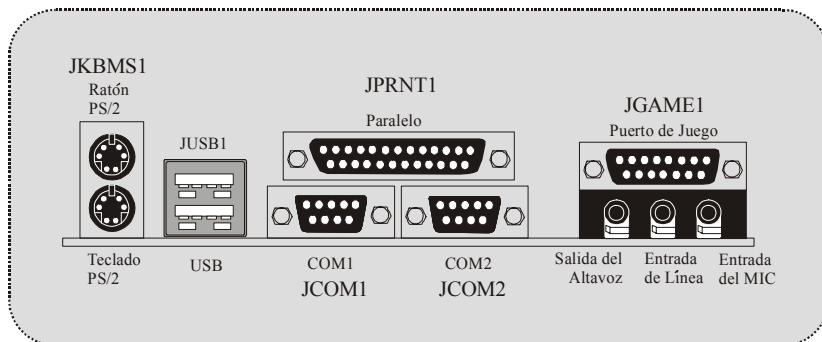
### Puente de Borrar CMOS: JCMOS1



Contacto 1-2 on ==> Operación Normal (default)  
Contacto 2-3 on ==> Borrar Datos CMOS

JCMOS1

### Conectores del Panel Trasero





## **WarpSpeeder**

### **Introduction**



[ WarpSpeeder™ ], a new powerful control utility, features three user-friendly functions including Overclock Manager, Overvoltage Manager, and Hardware Monitor.

The following three sections detail the installation of FastTrak 376 drivers on a system that has Windows 98/Me already installed. If you're installing the FastTrak 376 drivers on a system during a Windows 98/Me installation, see "Installing Drivers During Windows 98/Me Installation" on page 10. With the Overclock Manager, users can easily adjust the frequency they prefer or they can get the best CPU performance with just one click. The Overvoltage Manager, on the other hand, helps to power up CPU core voltage and Memory voltage. The cool Hardware Monitor smartly indicates the temperatures, voltage and CPU fan speed as well as the chipset information. Also, in the About panel, you can get detail descriptions about BIOS model and chipsets. In addition, the frequency status of CPU, memory, AGP and PCI along with the CPU speed are synchronically shown on our main panel.

Moreover, to protect users' computer systems if the setting is not appropriate when testing and results in system fail or hang, [ WarpSpeeder™ ] technology assures the system stability by automatically rebooting the computer and then restart to a speed that is either the original system speed or a suitable one.

---

## Motherboard Description

---

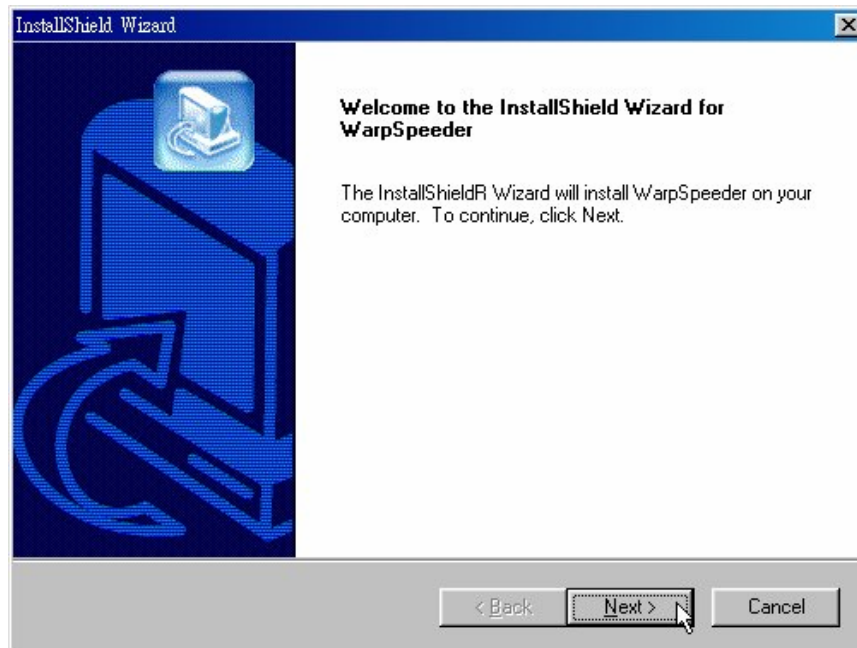
### System Requirement

OS Support: Windows 98 SE, Windows Me, Windows 2000, Windows XP

DirectX: DirectX 8.1 or above. (The Windows XP operating system includes DirectX 8.1. If you use Windows XP, you do not need to install DirectX 8.1.)

### Installation

1. Execute the setup execution file, and then the following dialog will pop up. Please click "Next" button and follow the default procedure to install.

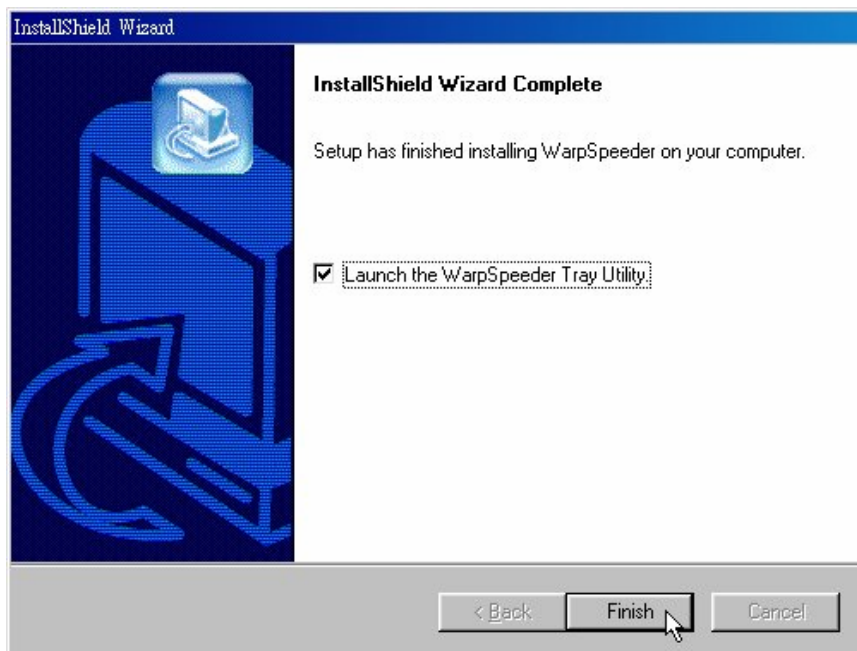


---

## Motherboard Description

---

2. When you see the following dialog in setup procedure, it means setup is completed. If the "Launch the WarpSpeeder Tray Utility" checkbox is checked, the Tray Icon utility and [ WarpSpeeder™ ] utility will be automatically and immediately launched after you click "Finish" button.



---

## Motherboard Description

---

### Usage

*The following figures are just only for reference, the screen printed in this user manual will change according to your motherboard on hand.*

[ WarpSpeeder™ ] includes 1 tray icon and 5 panels:

1. Tray Icon:

Whenever the Tray Icon utility is launched, it will display a little tray icon on the right side of Windows Taskbar.



This utility is responsible for conveniently invoking [ WarpSpeeder™ ] Utility. You can use the mouse by clicking the left button in order to invoke [ WarpSpeeder™ ] directly from the little tray icon or you can right-click the little tray icon to pop up a popup menu as following figure. The “Launch Utility” item in the popup menu has the same function as mouse left-click on tray icon and “Exit” item will close Tray Icon utility if selected.



---

## Motherboard Description

---

### 2. Main Panel

If you click the tray icon, [ WarpSpeeder™ ] utility will be invoked. Please refer do the following figure; the utility's first window you will see is Main Panel.

Main Panel contains features as follows:

- Display the CPU Speed, CPU external clock, Memory clock, AGP clock, and PCI clock information.
- Contains About, Voltage, Overclock, and Hardware Monitor Buttons for invoking respective panels.
- With a user-friendly Status Animation, it can represent 3 overclock percentage stages:

Man walking => overclock percentage from 100% ~ 110 %

Panther running => overclock percentage from 110% ~ 120%

Car racing => overclock percentage from 120% ~ above



---

## Motherboard Description

---

### 3. Voltage Panel

Click the Voltage button in Main Panel, the button will be highlighted and the Voltage Panel will slide out to up as the following figure.

In this panel, you can decide to increase CPU core voltage and Memory voltage or not. The default setting is "No". If you want to get the best performance of overclocking, we recommend you click the option "Yes".



---

## Motherboard Description

---

### 4. Overclock Panel

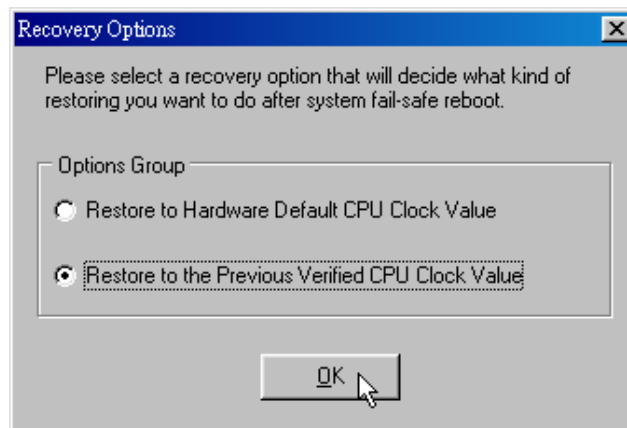
Click the Overclock button in Main Panel, the button will be highlighted and the Overclock Panel will slide out to left as the following figure.

Overclock Panel contains the these features:

- a. “-3MHz button”, “-1MHz button”, “+1MHz button”, and “+3MHz button”: provide user the ability to do real-time overclock adjustment.

*Warning: Manually overclock is potentially dangerous, especially when the overclocking percentage is over 110 %. We strongly recommend you verify every speed you overclock by click the Verify button. Or, you can just click Auto overclock button and let [ WarpSpeeder™ ] automatically gets the best result for you.*

- b. “Recovery Dialog button”: Pop up the following dialog. Let user select a restoring way if system need to do a fail-safe reboot.



- c. “Auto-overclock button”: User can click this button and [ WarpSpeeder™ ] will set the best and stable performance and frequency automatically. [ WarpSpeeder™ ] utility will execute a series of testing until system fail. Then system will do fail-safe reboot by using Watchdog function. After reboot, the [ WarpSpeeder™ ] utility will restore to the hardware default setting or load the verified best and stable frequency according to the Recovery Dialog's setting.



## Motherboard Description

- d. "Verify button": User can click this button and [ WarpSpeeder™ ] will proceed a testing for current frequency. If the testing is ok, then the current frequency will be saved into system registry. If the testing fail, system will do a fail-safe rebooting. After reboot, the [ WarpSpeeder™ ] utility will restore to the hardware default setting or load the verified best and stable frequency according to the Recovery Dialog's setting.

*Note: Because the testing programs, invoked in Auto-overclock and Verify, include DirectDraw, Direct3D and DirectShow tests, the DirectX 8.1 or newer runtime library is required. And please make sure your display card's color depth is High color (16 bit) or True color (24/32 bit) that is required for Direct3D rendering.*





---

## Motherboard Description

---

### 5. Hardware Monitor Panel

Click the Hardware Monitor button in Main Panel, the button will be highlighted and the Hardware Monitor panel will slide out to left as the following figure.

In this panel, you can get the real-time status information of your system. The information will be refreshed every 1 second.



### 6. About Panel

Click the About button in Main Panel, the button will be highlighted and the About Panel will slide out to up as the following figure.

In this panel, you can get model name and detail information in hints of all the chipset that are related to overclocking. You can also get the mainboard's BIOS model and the Version number of [ WarpSpeeder™ ] utility.

---

## Motherboard Description

---



## **Motherboard Description**

---

*Note: Because the overclock, overvoltage, and hardware monitor features are controlled by several separate chipset, [ WarpSpeeder™ ] divide these features to separate panels. If one chipset is not on board, the correlative button in Main panel will be disabled, but will not interfere other panels' functions. This property can make [ WarpSpeeder™ ] utility more robust.*

## ***Motherboard Description***

---

### **Trouble Shooting**

<b>PROBABLE</b>	<b>SOLUTION</b>
No power to the system at all Power light don't illuminate, fan inside power supply does not turn on. Indicator light on keyboard does not turn on	<ul style="list-style-type: none"> <li>* Make sure power cable is securely plugged in</li> <li>* Replace cable</li> <li>* Contact technical support</li> </ul>
<b>PROBABLE</b>	<b>SOLUTION</b>
System inoperative. Keyboard lights are on, power indicator lights are lit, hard drive is spinning.	<ul style="list-style-type: none"> <li>* Using even pressure on both ends of the DIMM, press down firmly until the module snaps into place.</li> </ul>
<b>PROBABLE</b>	<b>SOLUTION</b>
System does not boot from hard disk drive, can be booted from CD-ROM drive.	<ul style="list-style-type: none"> <li>* Check cable running from disk to disk controller board. Make sure both ends are securely plugged in; check the drive type in the standard CMOS setup.</li> <li>* Backing up the hard drive is extremely important. All hard disks are capable of breaking down at any time.</li> </ul>
<b>PROBABLE</b>	<b>SOLUTION</b>
System only boots from CD-ROM. Hard disk can be read and applications can be used but booting from hard disk is impossible.	<ul style="list-style-type: none"> <li>* Back up data and applications files. Reformat the hard drive. Re-install applications and data using backup disks.</li> </ul>
<b>PROBABLE</b>	<b>SOLUTION</b>
Screen message says "Invalid Configuration" or "CMOS Failure."	<ul style="list-style-type: none"> <li>* Review system's equipment . Make sure correct information is in setup.</li> </ul>
<b>PROBABLE</b>	<b>SOLUTION</b>
Cannot boot system after installing second hard drive.	<ul style="list-style-type: none"> <li>* Set master/slave jumpers correctly.</li> <li>* Run SETUP program and select correct drive types. Call drive manufacturers for compatibility with other drives.</li> </ul>

---

---

## Solución de Problemas

CAUSA PROBABLE	SOLUCIÓN
No hay corriente en el sistema. La luz de corriente no ilumina, ventilador dentro de la fuente de alimentación apagada. Indicador de luz del teclado apagado.	* Asegúrese que el cable de transmisión esté seguramente enchufado. * Reemplace el cable. * Contacte ayuda técnica.

CAUSA PROBABLE	SOLUCIÓN
Sistema inoperativo. Luz del teclado encendido, luz de indicador de corriente iluminado, disco rígido está girando.	* Presione los dos extremos del DIMM, presione para abajo firmemente hasta que el módulo encaje en el lugar.

CAUSA PROBABLE	SOLUCIÓN
Sistema no arranca desde el disco rígido, puede ser arrancado desde el CD-ROM drive.	* Controle el cable de ejecución desde el disco hasta el disco del controlador. Asegúrese de que ambos lados estén enchufados con seguridad; controle el tipo de disco en la configuración estándar CMOS. * Copiando el disco rígido es extremadamente importante. Todos los discos rígidos son capaces de dañarse en cualquier momento.

CAUSA PROBABLE	SOLUCIÓN
Sistema solamente arranca desde el CD-ROM. Disco rígido puede leer y aplicaciones pueden ser usados pero el arranque desde el disco rígido es imposible.	* Copie datos y documentos de aplicación. Vuelva a formatear el disco rígido. Vuelva a instalar las aplicaciones y datos usando el disco de copiado.

CAUSA PROBABLE	SOLUCIÓN
Mensaje de pantalla "Invalid Configuration" o "CMOS Failure."	* Revise el equipo del sistema. Asegúrese de que la información configurada sea correcta.

CAUSA PROBABLE	SOLUCIÓN
No puede arrancar después de instalar el segundo disco rígido.	* Fije correctamente el puente master/esclavo. * Ejecute el programa SETUP y seleccione el tipo de disco correcto. Llame a una manufacturación del disco para compatibilidad con otros discos.



10/08/2002

